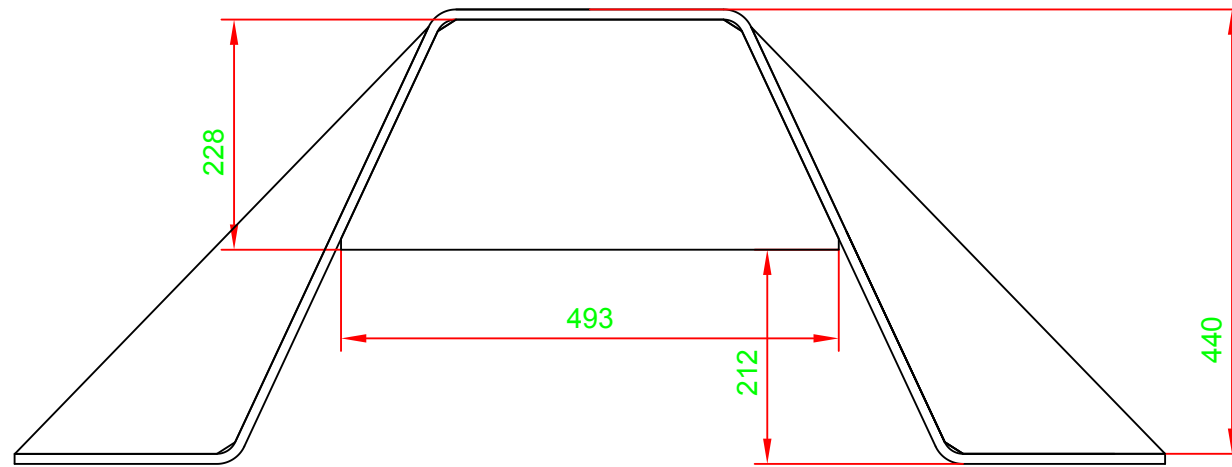


Developed length of the profil 1686 mm
 Length of section 5,9 m (a half rack)
 Weight 106 kg/m, i.e. 625 kg per section
 6 drilled holes for connection between both half-racks
 dia.18mm for 6 bolts M16x40

				Title Piping rack Bended sheet with gussets				Scale 1/5	
				Project :				Format A3	
				NOM		SIGNATURE		DATE	
				Designed by				05/09/18	
				Checked by				06/09/18	
				Approved by				09/09/18	
				Issue for information		Issue for Construction		<input type="checkbox"/> <input checked="" type="checkbox"/>	
								Drawing assembly n° 0163-DR-001	
								Drawing n° 0	
								REVISION A	
Date	Ind.	Modifications							



Stiffeners :

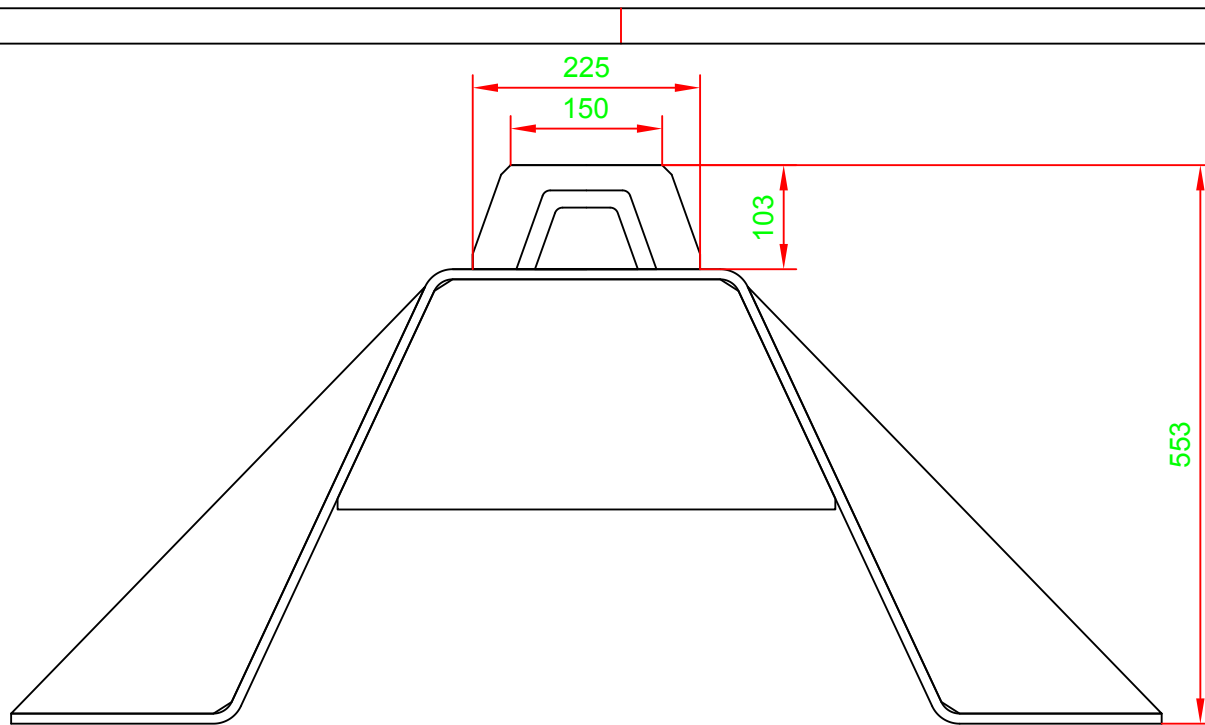
Steel sheet thickness 8 mm each 2 meters on both sections of the rack.

- Inside stiffener : unit weight 5,66 kg
- Outside stiffener : unit weight 2 ,81 kg (x2)
- Total weight of 4 sets of stiffeners per half-rack : 45 kg

Total weight of both half-rack with his stiffeners 1341 kg (without Dhatec)

Total area of both half-rack, including stiffeners : 43 m².

				Title Piping rack With gussets				Scale 1/5	
								Format A3	
		Project :		NOM		SIGNATURE		DATE	
								05/09/18	
								06/09/18	
								06/09/18	
				Issue for information		Issue for Construction		<input type="checkbox"/> <input checked="" type="checkbox"/>	
Date		Ind.		Modifications		Drawing assembly n°		0163-DR-002	
								Drawing n°	
								0	
								REVISION A	



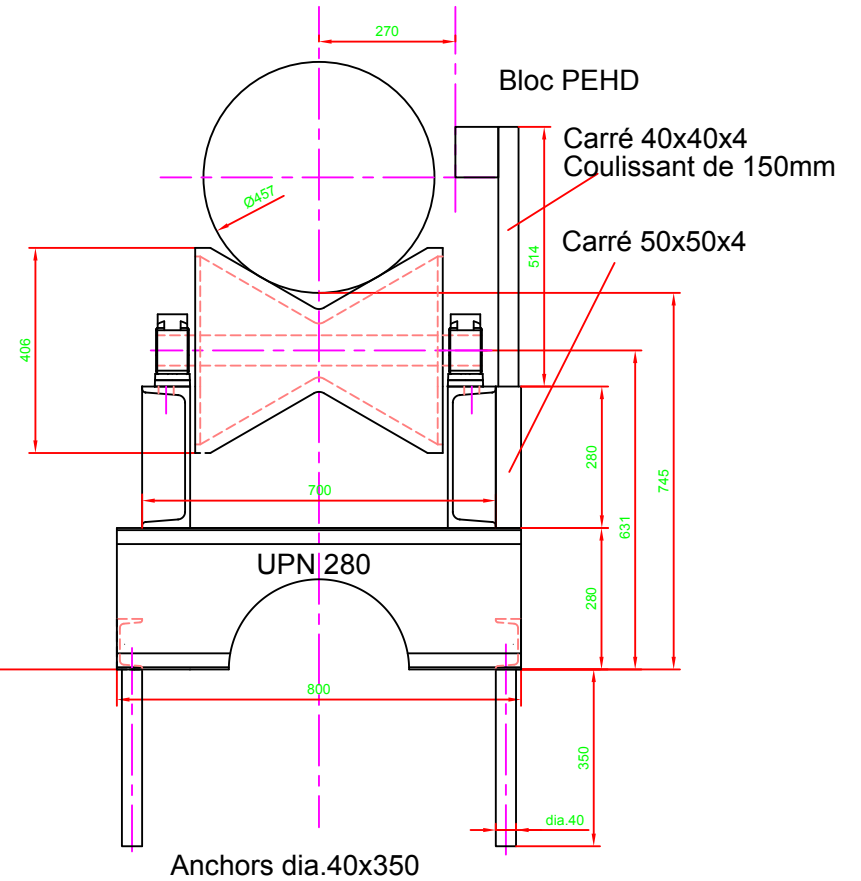
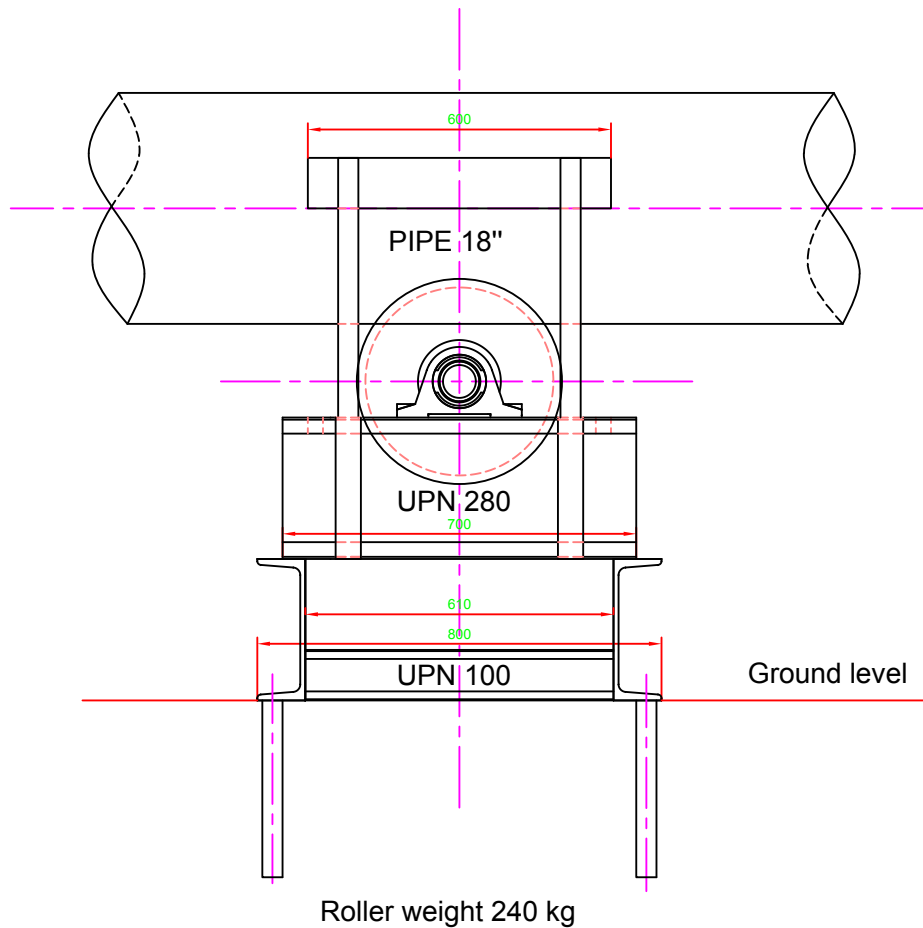
Each rack is equipped with Dhatec PS50 system, which includes :

- 11,8 m of rail (weight 46,5 kg/element of 4 m)
- 30 Flat blocks (unit weight 4,2 kg)
- 3 Separator blocks (unit weight 10,8 kg)
- contingencies : 25 kg

Total weight of the equipped rack : $1341 + (46,5 \times 3) + (30 \times 4,2) + (3 \times 10,8) + 25 = 1664$ kg

Fixed equipement has a weight 1480 kg

				Title Support piping With Dhatec rail				Scale 1/5	
								Format A3	
		Project :		NOM		SIGNATURE		DATE	
								05/09/18	
								06/09/18	
								06/09/18	
								0	
								0	
Date	Ind.	Modifications		Issue for information		Issue for Construction		REVISION A	



Date	Ind.	Modifications

Title Roller Assembly		Scale 1/5	
Project :		Format A3	
NOM	SIGNATURE	DATE	Drawing assembly n° 0163-DR-004
Designed by		05/09/18	Drawing n°
Checked by		06/09/18	0
Approved by		06/09/18	
Issue for information	Issue for Construction	<input type="checkbox"/> <input checked="" type="checkbox"/>	REVISION A/B